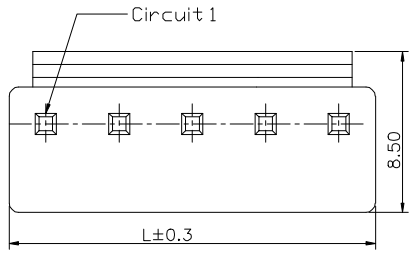


1 2 3 4 5 6 7 8 9

F

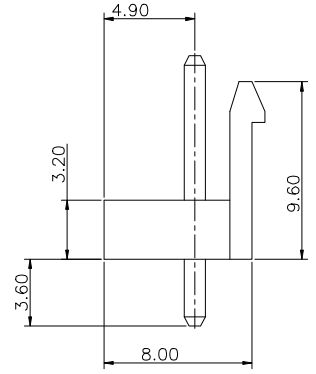
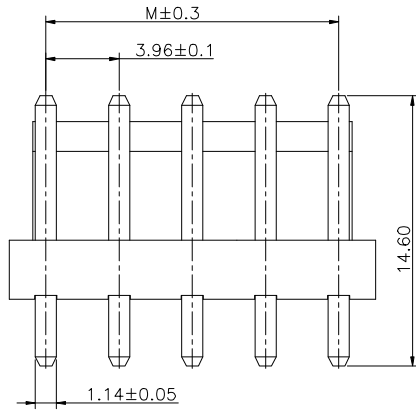


Poles	Dimensions(mm)		Poles	Dimensions(mm)	
	M	L		M	L
02	3.96	7.92	09	31.68	35.64
03	7.92	11.88	10	35.64	39.60
04	11.88	15.84	11	39.60	43.56
05	15.84	19.80	12	43.56	47.52
06	19.80	23.76	13	47.52	51.48
07	23.76	27.72	14	51.48	55.44
08	27.72	31.68	15	55.44	59.40

- Specifications :
- Voltage rating: 250V AC / DC
 - Current rating: 7A AC / DC
 - Withstanding voltage: 1500V AC/minute
 - Temperature range: -25°C~+85°C
 - Insulation resistance: ≥1000MΩ
 - Contact resistance: ≤10mΩ
- After environmental testing: ≤20mΩ

E

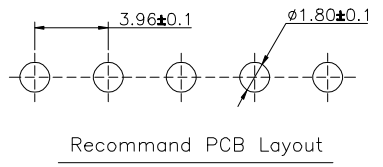
D



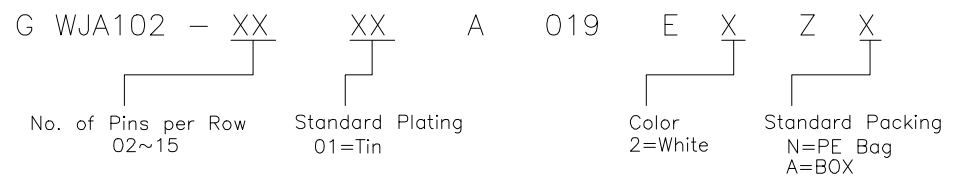
Series No.
 Category: wafer
 Welding Board Angle: Stright 180°
 Welding Way: DIP
 Material: Nylon 66 UL 94V-0
 Planting Category: Bright tin plating
 Color: natural color
 All materials must meet Greenconn requirement for environment protection.

C

B



Ordering Information



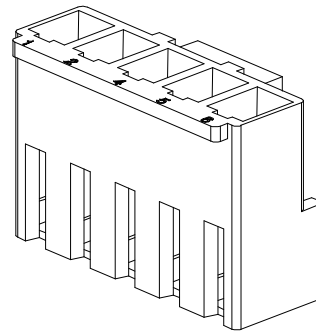
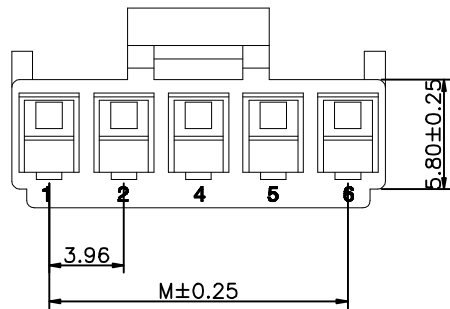
A

格稜股份有限公司 Greenconn Corporation				GENERAL TOLERANCE		DESIGN:	DATE:	DWG. NO.	TITLE.
				X:±/	X.±/	CHECKED:	DATE:	GWJA102-CA19EZ	3.96 mm Crimp Style Connectors
REV. 01	UNIT. mm	SCALE. 1:1	PAGE. 1/1	.X'±/	.X±0.30	AUDITED:	DATE:	PART NO.	
				.XX'±/	.XX±0.20			GWJA102-XXXXA019EXZX	
				.XXX'±/	.XXX±0.10				

1 2 3 4 5 6 7 8 9

1 2 3 4 5 6 7 8 9

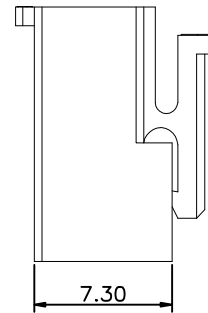
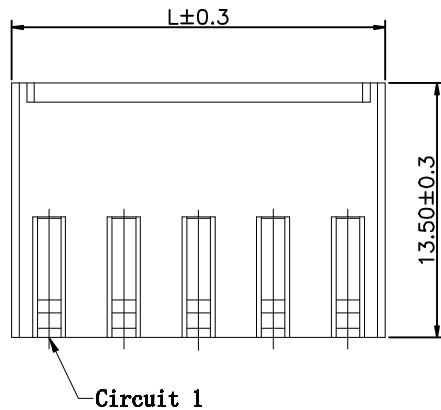
F



Specifications:
 Contact resistance: $\leq 20\text{m}\Omega$
 Insulation resistance: $\geq 1000\text{M}\Omega$
 Rated voltage: 250V AC DC
 Rated current: 7.0A AC DC
 Withstand Voltage: 1500V AC/minute
 Temperature Range: $-25^{\circ}\text{C} \sim +105^{\circ}\text{C}$
 All materials must meet GREENCONN hazardous substances control standards.

E

D



C

B

Ordering Information

GWJ111 - XX A XX

No. of Pins/Row
02~14

Material/Color
P1=NYLON66/White

No. of PIN/ROW	M	L
02	3.96	7.92
03	7.92	11.88
04	11.88	15.84
05	15.84	19.80
06	19.80	23.76
07	23.76	27.72
08	27.72	31.68
09	31.68	35.64
10	35.64	39.60
11	39.60	43.56
12	43.56	47.52
13	47.52	51.48
14	51.48	55.44

A

 Website: www.greenconn.com E-mail: sales@greenconn.com	3RD.ANG PROJ.	GENERAL TOLERANCE		DESIGNED:	DATE:	DWG. NO. GWJ111-HA	TITLE. 3.96 mm PITCH Housing
	 PAGE. 1/1	X: $\pm 5.0'$	X: ± 0.50				
REV. A	UNIT. mm	SCALE. 1:1	.X: $\pm 2.0'$.X: ± 0.30	APPROVED:	DATE:	
			.XX: $\pm 1.0'$.XX: ± 0.25			
			.XXX: $\pm /$.XXX: $\pm /$			

AQ

1 2 3 4 5 6 7 8 9

1 2 3 4 5 6 7 8 9

F

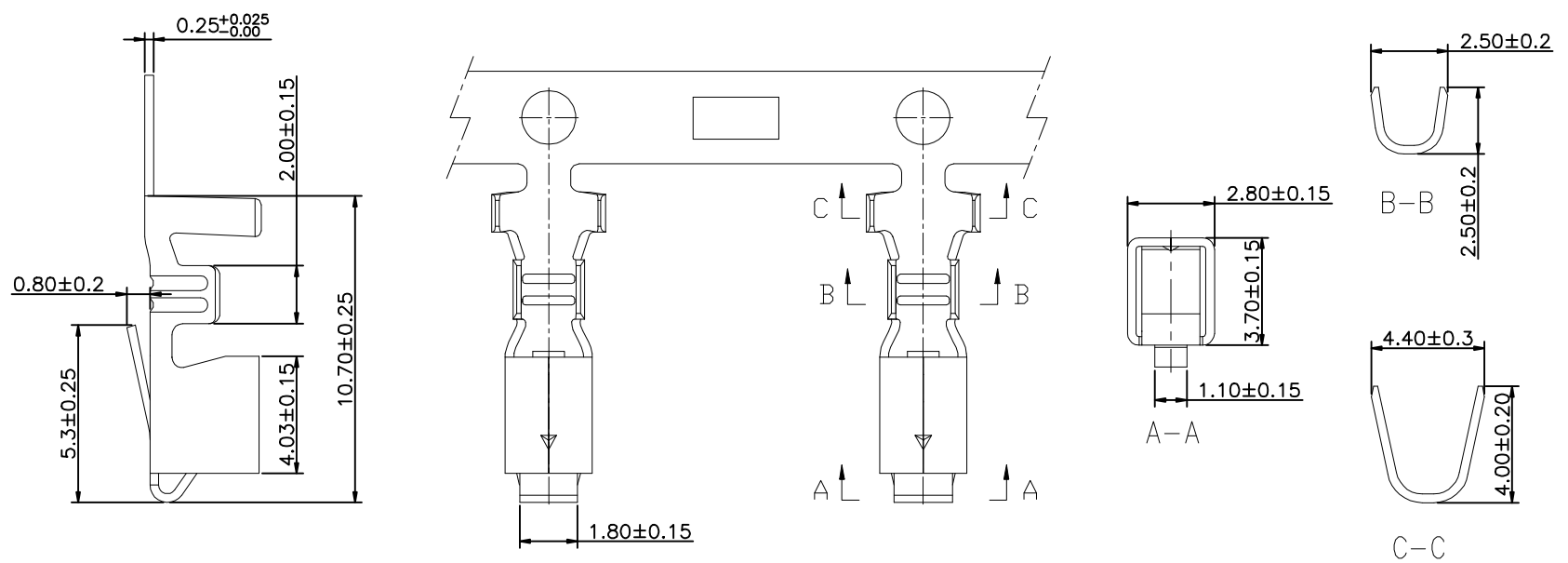
E

D

C

B

A



Ordering Information

GRJ108 - 01 XX XX

Standard Plating
01=Tin

Material
AB=Phosphor bronze

Wire Range	Insulation O.D.	Material	Finish
AWG #22~#18	3.00mm(MAX)	Phosphor bronze	Sn-plated

Greenconn
 Website: www.greenconn.com
 E-mail: sales@greenconn.com

3RD.ANG
PROJ.

PAGE. 1/1

GENERAL TOLERANCE	
X. ±5.0'	X. ±0.50
.X ±2.0'	.X ±0.30
.XX ±1.0'	.XX ±0.25
.XXX ±/	.XXX ±/

DESIGNED:	DATE:
CHECKED:	DATE:
APPROVED:	DATE:

DWG. NO.
GRJ108-T1
 PART NO.
GRJ108-0101AB

TITLE.
3.96 mm PITCH

AQ

1 2 3 4 5 6 7 8 9

F

E

D

C

B

A